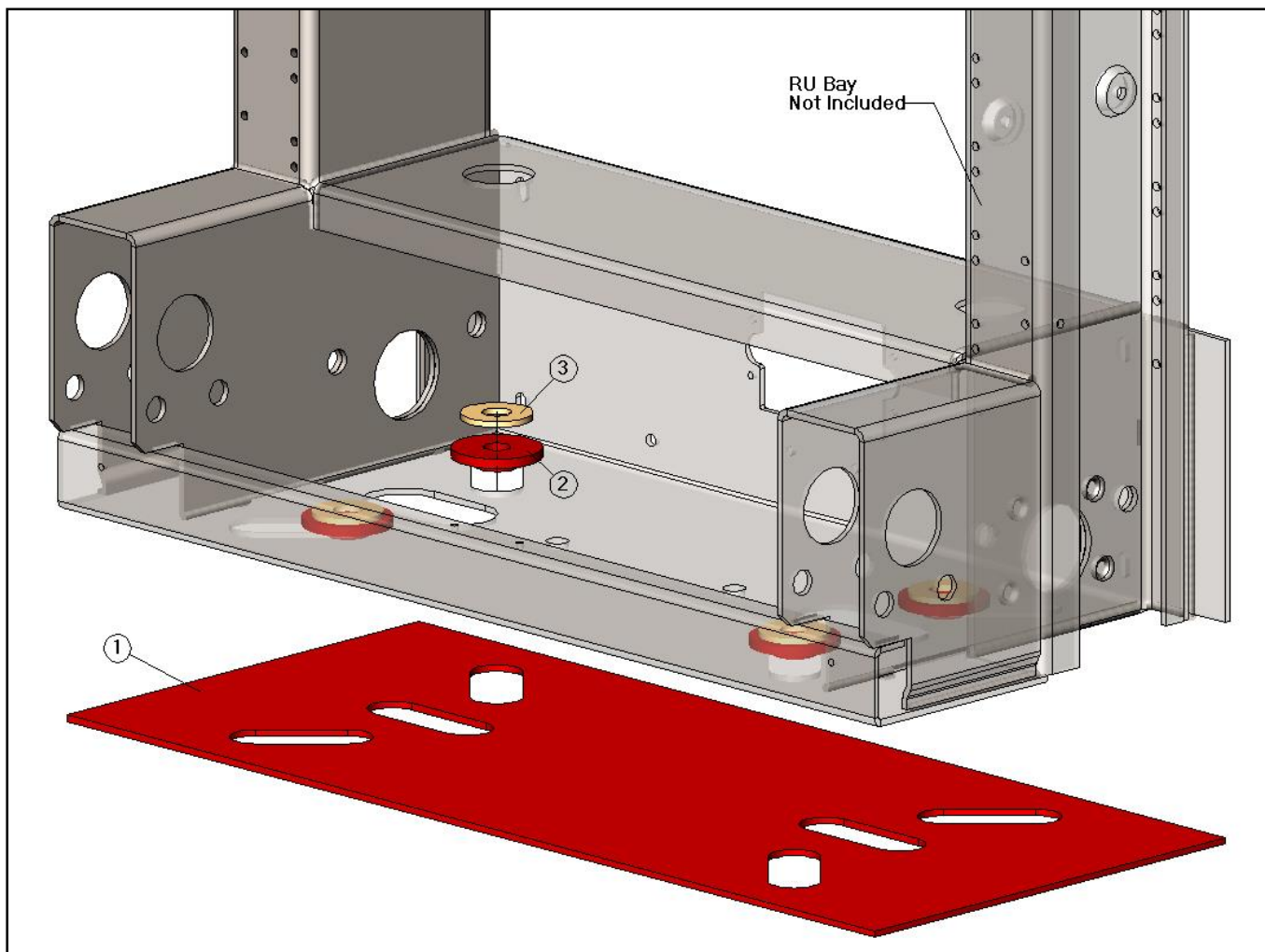


IP Series - RU/ RN Insulation Pad Kits



IP1801 Series - 23.00" RU/ RN Insulation Pad Kit			
Item	CSF P/N#	Description	QTY
1	IP9132	Insulation Pad	1
2	IB6203	Insulation Bushing for 1/2" Hardware	4
3	FW167	1/2" Flat Washer	4

Notes:
Kit includes all mounting hardware and insulation pad.

IP1802 Series - 23.00" RU/ RN Insulation Pad Kit			
Item	CSF P/N#	Description	QTY
1	IP9132	Insulation Pad	1
2	IB6204	Insulation Bushing 5/8" Hardware	4
3	FW168	5/8" Flat Washer	4

IP1701 Series - 19.00" RU/ RN Insulation Pad Kit			
Item	CSF P/N#	Description	QTY
1	IP9131	Insulation Pad	1
2	IB6203	Insulation Bushing for 1/2" Hardware	4
3	FW167	1/2" Flat Washer	4

Specifications subject to change. Please contact CSF Customer Service for more information.

403